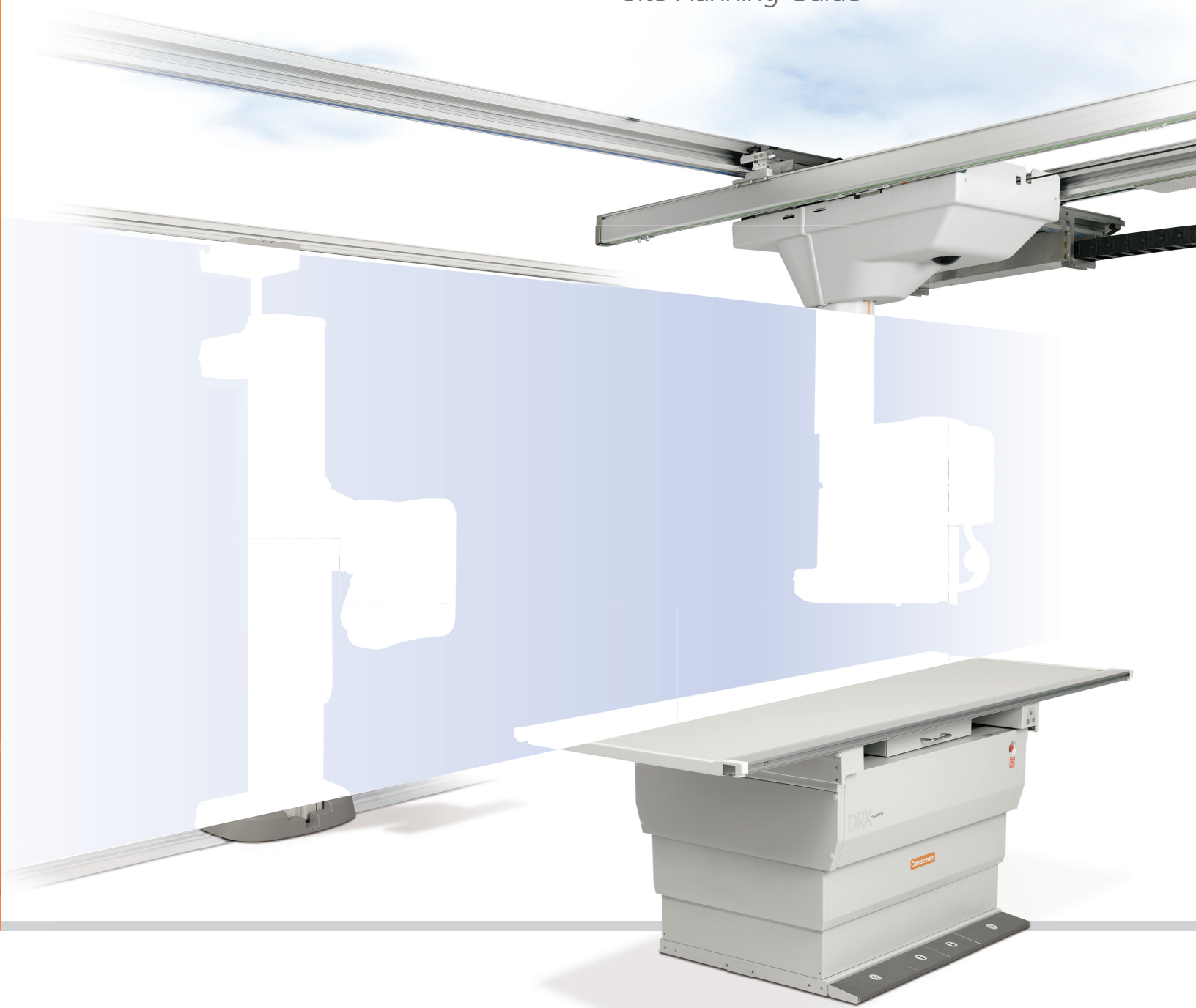


Carestream

CARESTREAM DRX-Evolution
Site Planning Guide



SIMPLE. GENIUS.

Virtually Unlimited Positioning Freedom – An Innovation In Digital Radiography

The CARESTREAM DRX-Evolution System lets you convert to digital radiography in measured steps – avoiding the cost, disruption, and training demands of leaping to a full-blown DR suite.

Based on a wireless cassette-sized DR detector, this system is versatile, flexible and available in three configurations; Fully Automated Solution, Hybrid Solution, and Standard Solution. It provides an integrated single-detector room for a full range of DR examinations, and enables a smooth transition to a dual-detector system.

You can begin simply by converting a conventional or CR exam room to digital radiography with the DRX-1 System. It can be installed in just one day. Then step up to a single or dual-detector DRX-Evolution System as needs dictate and funding permits.

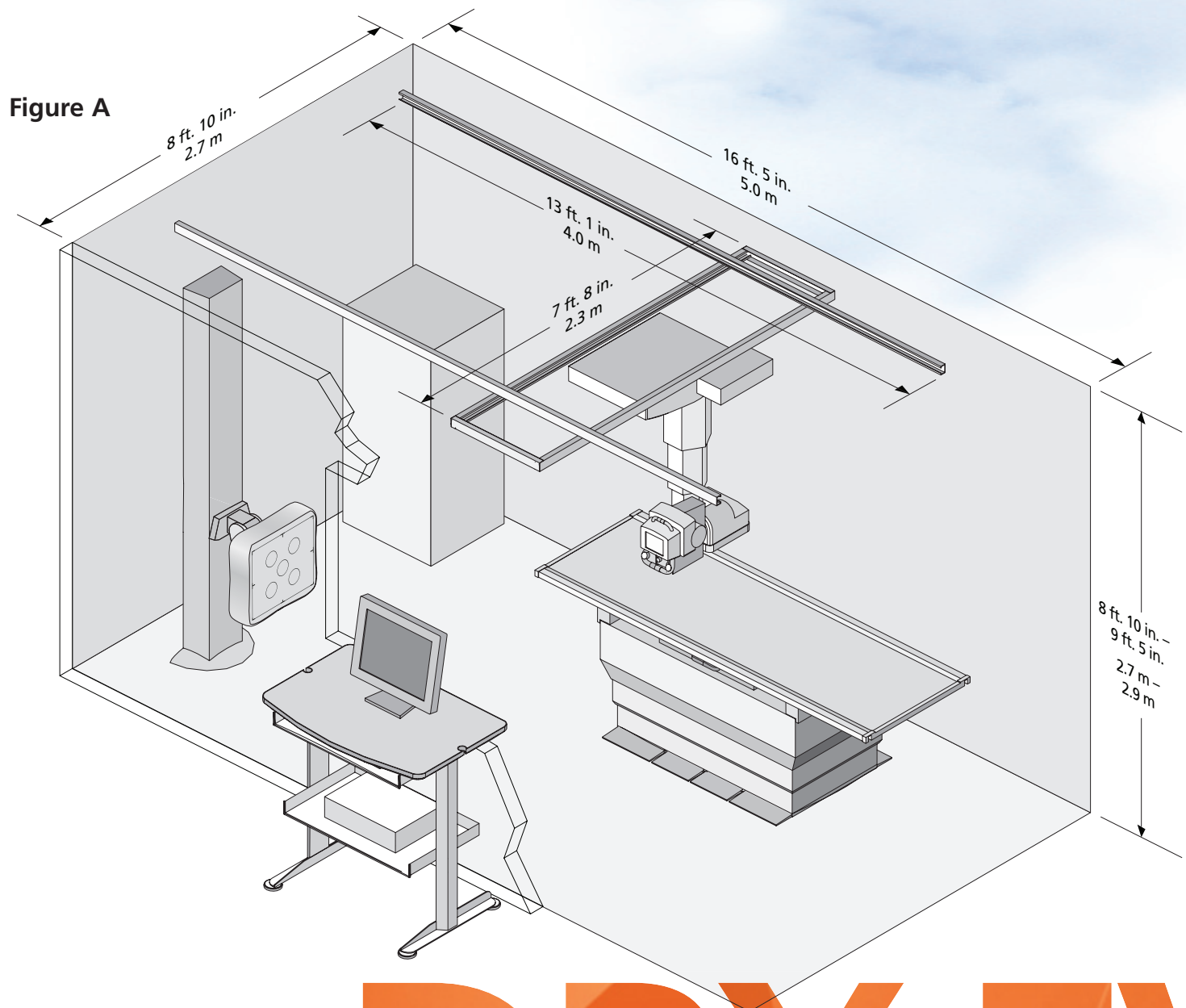


Figure B

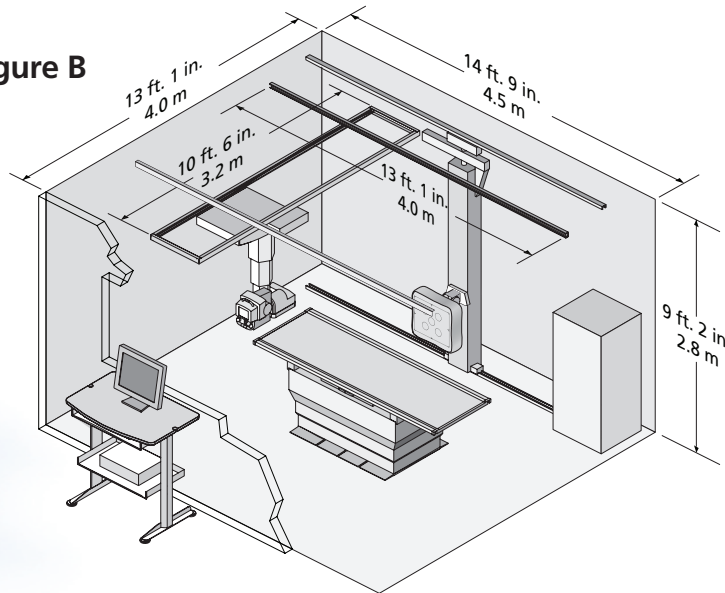


Figure C

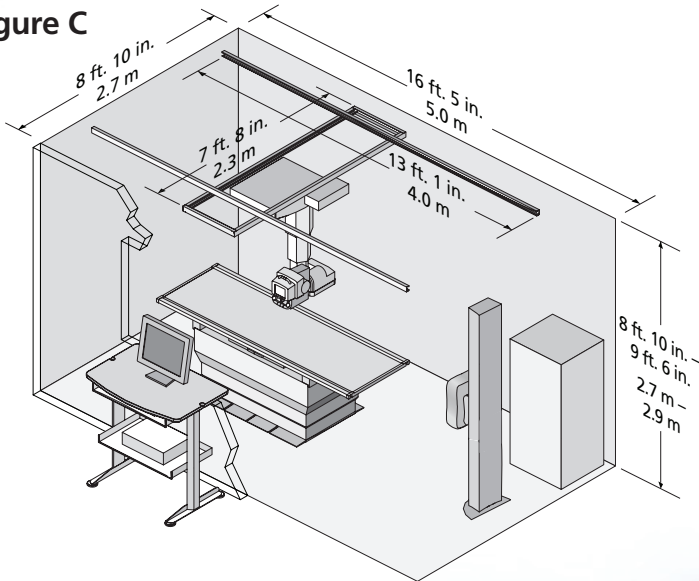
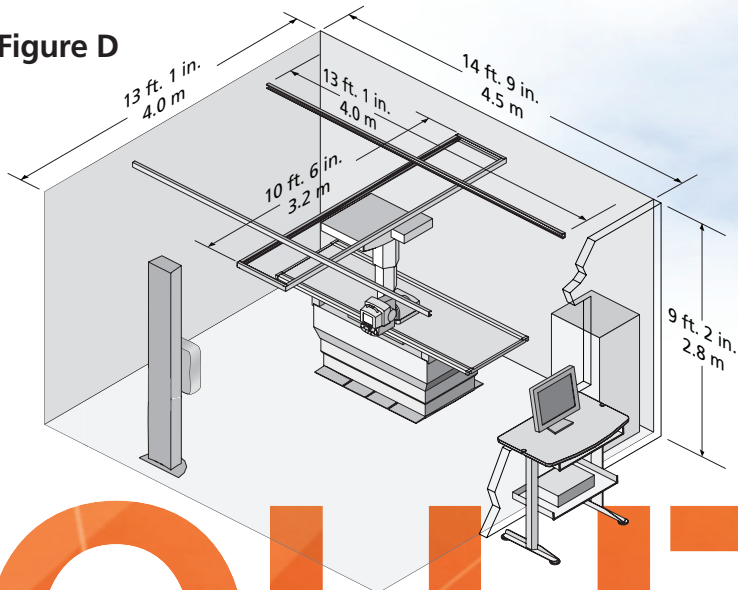


Figure D



Major subsystems

The flexible CARESTREAM DRX-Evolution System uses six major components that can be configured to fit your room size, budget and imaging demands.

- Wall stand with tilt-and-swing Bucky
- Elevating table with Bucky and four-way floating tabletop
- CARESTREAM DRX-1 or DRX-1C Detector
- Overhead tube crane suspension*
- X-ray generator/Power Distribution Unit*
- System control with touch screen monitor*

*Included with all configurations

Figures A–D illustrate the flexibility of the DRX-Evolution System in optimizing the space for a given room layout. The room sizes suggested here allow the greatest range of exams within each configuration. The preferred ceiling height in the illustrations maximizes the vertical range of movement of the wall stand detector and the overhead tube crane suspension. Each room can be configured with either a wall stand, fixed table or both components and up to three DRX-1 or DRX-1C detectors. The motorized wall stand can be configured with an optional floor rail to provide further positioning choices for the user.

The illustrations and dimensions in this document will serve only as a guide for room-size requirements, along with depicting key subsystems of the DRX-Evolution System. Full requirements for the system are outlined in the DRX-Evolution Site Specification publication and should always be used for detailed planning purposes. There may be some functional limitations depending on room layout and size. For optimal use of room space, consult your Carestream Health project manager when planning equipment placement.

EVOLUTION

Specifications

Operating Environment

- Temperature: 65° to 86° F (18° to 30° C)
- Humidity: 10% to 75% (non condensing)

Electrical

- 400/480 VAC, 3 phase, Delta or WYE
- 110/240 VAC outlet for detector battery charger

Network

- Network connection required for transfer of patient information and images and CARESTREAM Remote Management Services.

Structural

- Unistrut® P1000 series or similar support required

Minimum ceiling height

- 8 ft, 10 in. (2.7 m)

CARESTREAM Wall Stand

- Height: 89.4 in. (227 cm), add 1.5 in. for x-rail
- Required clearance behind Wall Stand column: 15.8 in. (40.13 cm)
- Weight:
 - Base stand: 440 lbs. (200 kg)
 - Premium stand: 443 lbs. (201 kg)
 - Stand w/ Trixell: 465 lbs. (211 kg)
- Vertical Range: 66 in. (167.64 cm)
- Receptor center @ max. vertical height: 71 in. (180.34 cm), 72.5 in (184.15 cm) with x-rail option

Elevating Table

- Vertical range: 20.9 in. to 33.85 in. (530 mm to 860 mm)
- Weight: 595 lb (270 kg)
- Floating tabletop
 - Length: 94.5 in. (2400 mm)
 - Width: 32.5 in. (830 mm)
 - Longitudinal float: 46.5 in. (1180 mm)
 - Transversal float: 10.5 in. (266 mm)
 - Imageable area: 92.5 in. x 25.1 in. (2350 mm x 640 mm)
 - Total float: 47.2 in. (1200 mm)

Generator/Power Distribution Unit

(Integrated to form a single unit)

- Height: 54.7 in. (1390 mm)
- Width: 25.4 in. (645 mm)
- Depth: 22.7 in. (577 mm)
- Weight: 588 lb (267 kg)



www.carestreamhealth.com

More Information

To learn more about the CARESTREAM DRX-Evolution, contact your local authorized distributor or Carestream Health representative at 877-865-6325, ext. 277.

Carestream

Carestream Health, Inc.
150 Verona Street
Rochester, NY 14608
U.S.A.

“Rx only”

CARESTREAM is a trademark of Carestream Health, Inc.
Printed in U.S.A. 10/10 © Carestream Health, 2010.

M1-411

CAT No. 100 8192